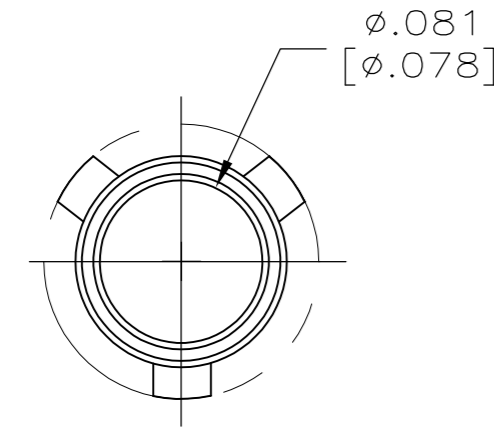
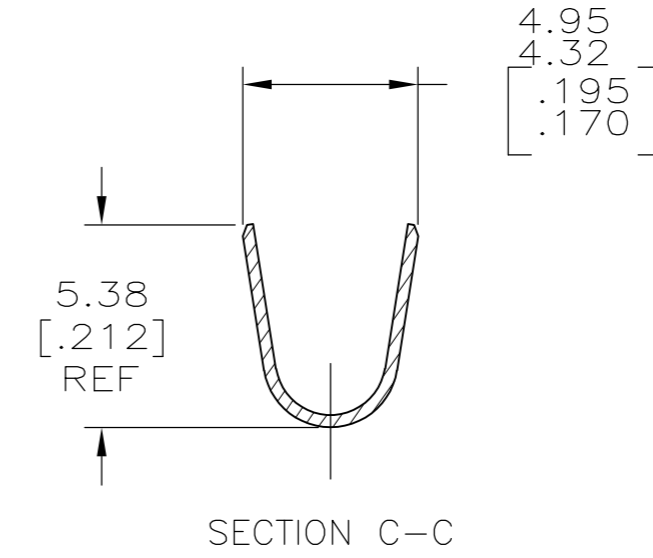
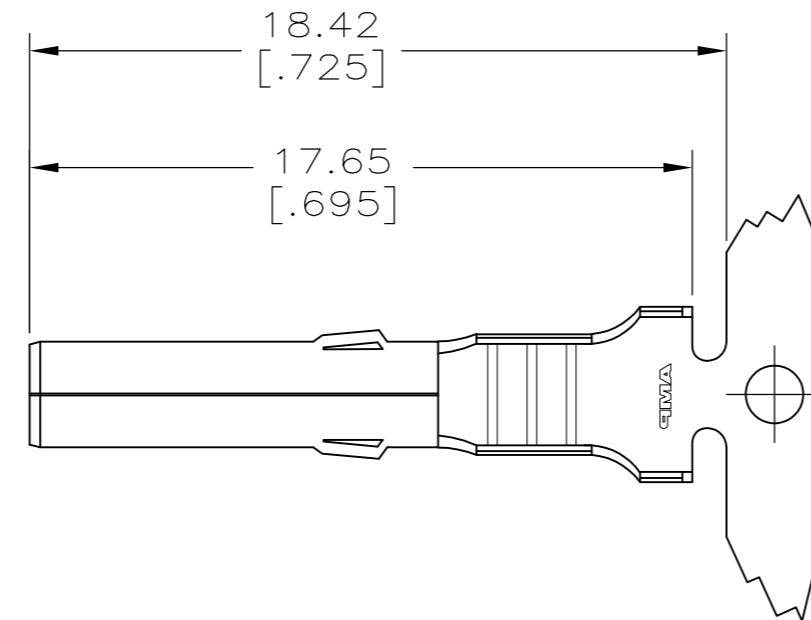


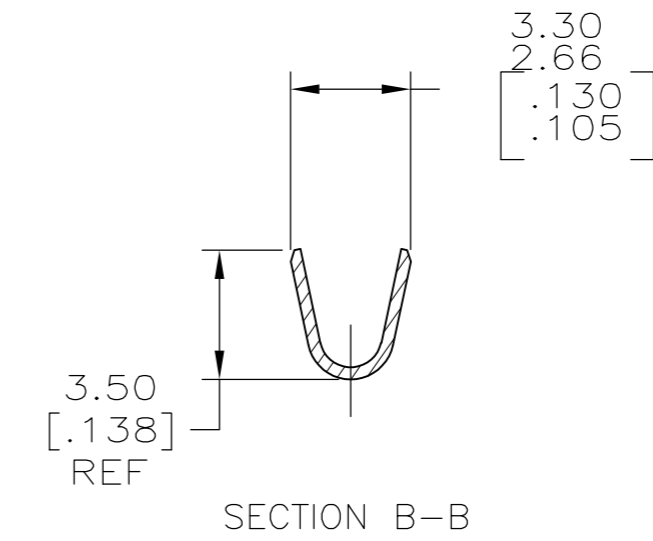
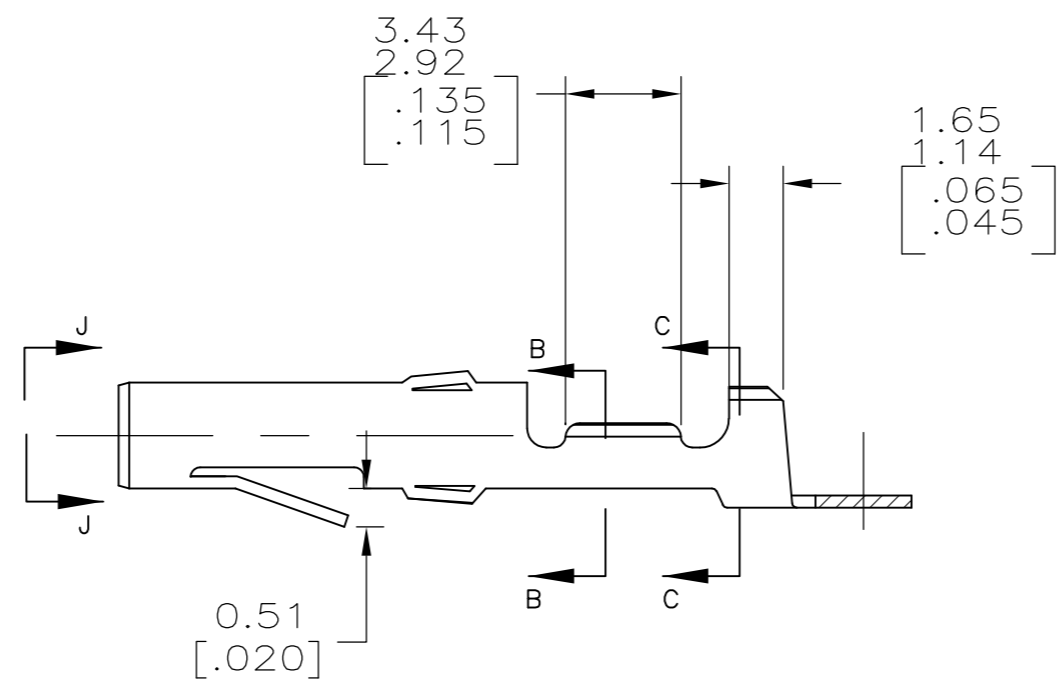
THIS DRAWING IS UNPUBLISHED. RELEASED FOR PUBLICATION
 © COPYRIGHT BY TYCO ELECTRONICS CORPORATION. ALL INTERNATIONAL RIGHTS RESERVED.

LOC		DIST		REVISIONS			
P	LTR	DESCRIPTION		DATE	DWN	APVD	
CM	00	G		REVISED PER ECO-08-026243	23OCT08	HMR	CC

- 1 WIRE RANGE: 2 WIRES OF 0.8 - 0.9 mm² [18 AWG] OR 1 WIRE OF 0.8 - 0.9 mm² [18 AWG] AND 1 WIRE OF 1.25 - 1.4 mm² [16 AWG].
- 2 INSULATION RANGE: 2 WIRES OF 2.92 [.115] MAX DIA EACH, STACKED.
- 3 DIMENSIONS IN BRACKETS ARE IN INCHES.



VIEW J-J
SCALE 20:1



PRE-TIN	PH.BRONZE	350557-4
PRE-TIN	BRASS	350557-1
FINISH	MATERIAL	PART NO

THIS DRAWING IS A CONTROLLED DOCUMENT.		DWN RAGHAVENDRA 23OCT2008	Tyco Electronics Corporation Harrisburg, PA 17105-3608	
DIMENSIONS: mm [INCHES]		CHK CASH CHRIS 23OCT2008	NAME MATE-N-LOK SOCKET	
TOLERANCES UNLESS OTHERWISE SPECIFIED:		APVD CASH CHRIS 23OCT2008	SIZE A2 CAGE CODE 00779 C=350557	
0 PLC ± -		PRODUCT SPEC	DRAWING NO	
1 PLC ± -		APPLICATION SPEC	RESTRICTED TO	
2 PLC ± -		WEIGHT -	SCALE 5:1 SHEET 1 of 1 REV G	
3 PLC ± .005		CUSTOMER DRAWING		
4 PLC ± -				
ANGLES ± 1'0"				
MATERIAL SEE TABLE	FINISH SEE TABLE			